



**ISTRUZIONI PER L'USO
INSTRUCTIONS FOR THE USE**

**Frigorifero combinato No Frost
No Frost combined refrigerator**



Summary

SAFETY INFORMATION	1
Scrapping old appliances	6
Conformity	6
Guarantee	6
Energy Saving	7

Thank you for purchasing this product. Before using your refrigerator, please carefully read this instruction manual in order to maximize its performance. Store all documentation for subsequent use or for other owners. This product is intended solely for household use or similar applications such as:

- the kitchen area for personnel in shops, offices and other working environments
- on farms, by clientele of hotels, motels and other environments of a residential type
- at bed and breakfasts (B & B)
- for catering services and similar applications not for retail sale.

This appliance must be used only for purposes of storage of food, any other use is considered dangerous and the manufacturer will not be responsible for any omissions. Also, it is recommended that you take note of the warranty conditions.

SAFETY INFORMATION

Please read the operating and installation instructions carefully!

They contain important information on how to install, use and maintain the appliance.

The manufacturer is not liable if you fail to comply with the instructions and warnings.

Retain all documents for subsequent use or for the next owner.

- Do not connect the appliance to the electricity supply until all packing and transit protectors have been removed. Keep children away from packaging and its parts. Danger of suffocation from folding cartons and plastic film!
- Leave to stand for at least 4 hours before switching on the product, to allow compressor oil to settle if transported horizontally.
- Make sure there is no transport damage.
- **WARNING:** Do not damage the refrigerant circuit.
- **WARNING:** Maintain the ventilation openings in the appliance enclosure or in the built-in structure, free of obstruction.
- Never use water to wash the compressor position, wipe it with a dry cloth thoroughly after cleaning to prevent rust.
- Handle the appliance always with at least two persons because it is heavy.
- Install and level the appliance in an area suitable for its size and use.
- Make sure that the electrical information on the rating plate agrees with the power supply. If it does not, contact an electrician.
- The appliance is operated by a 220-240 VAC/50 Hz power supply. Abnormal voltage fluctuation may cause the appliance to fail to start, or damage to the temperature control or compressor, or there may be an abnormal noise when operating. In such case, an automatic regulator shall be mounted.
- Only for UK: The appliance's power cable is fitted with 3-cord (grounding) plug that fits a standard 3-cord (grounded) socket. Never cut off or dismount the third pin (grounding). After the appliance is installed, the plug should be accessible.

- Make sure that mains cable is not caught under the appliance during and after carrying/moving the appliance, to avoid the mains cable becoming cut or damaged. If the supply cord is damaged, it must be replaced by the manufacturer, its service agent or similarly qualified person in order to avoid a hazard.
- Do not install the appliance in humid, oily or dusty places, nor expose it to direct sunlight and to water.
- Do not install the appliance near heaters or inflammable materials.
- FOR appliances with a freezer compartment: if there is a power failure do not open the lid. Frozen food should not be affected if the failure lasts for less than the hours indicated on the rating label (Temperature rise time). If the failure is longer, then the food should be checked and eaten immediately or cooked and then refrozen.
- If you find that the lid of the appliance is difficult to open just after you have closed it, don't worry. This is due to the pressure difference which will equalize and allow the lid to be opened normally after a few minutes.
- Do not store medicines, bacteria or chemical agents in the appliance. This appliance is a household appliance, it is not recommended to store materials that require strict temperatures.
- Do not excessively pull or fold the power cord or touch the plug with wet hands.
- Do not store products which contain flammable propellant (e.g. spray cans) or explosive substances in the appliance. Risk of explosion!
- Do not place unstable articles (heavy objects, containers filled with water) on top of the refrigerator, to avoid personal injury caused by falling or electric shock caused by contact with water.
- **WARNING:** Do not use electrical appliances inside the food storage compartments, unless they are of the type recommended by the manufacturer.
- Do not touch internal cooling elements, especially with wet hands, to avoid cracks or injuries.
- At risk here are children, people who have limited physical, mental or sensory abilities, as well as people who have inadequate knowledge concerning safe operation of the appliance.

- Check that children and vulnerable people have understood the hazards. A person responsible for safety must supervise or instruct children and vulnerable people who are using the appliance. Only children aged 8 years and above may use the appliance.
- Children should not play with the appliance.
- Children aged from 3 to 8 years are allowed to load and unload this appliance.
- FOR appliances with a freezer compartment: do not store bottled or canned liquids (especially carbonated drinks) in the freezer compartment. Bottles and cans may burst!
- FOR appliances with a freezer compartment: never put frozen food straight from the freezer compartment in your mouth. Risk of low-temperature burns!
- Keep plastic parts and the door seal free of oil and grease. Otherwise, plastic parts and the door seal will become porous.
- Before performing any operation, unplug the power cord from the power socket.
- WARNING: Do not use mechanical devices or other means to accelerate the defrosting process, other than those recommended by the manufacturer.
- Do not use pointed or sharp-edged objects such as knives or forks to remove the frost.
- Never use hairdryers, electrical heaters or other such electrical appliances for defrosting.
- It is recommended to keep the plug clean, any excessive dust residues on the plug can be the cause fire.
- Do not try to repair, disassemble or modify the appliance by yourself. In case of repair please contact always our customer service.
- Supervise children while the appliance is being cleaned or maintained.
- Do not clean the cold glass shelves with hot water. Sudden temperature change may cause the glass to break.
- WARNING: The tubes of the refrigeration circuit convey a small quantity of an environmentally friendly but flammable refrigerant (R600a) and insulating gas (cyclopentane). It does not damage the ozone layer and does not increase the greenhouse effect. If refrigerant escapes, it may injure your eyes or ignite.

- If the refrigerant circuit should be damaged:
 - Switch off the appliance and pull out the mains plug.
 - Keep naked flames and/or ignition sources away from the appliance.
 - Thoroughly ventilate the room for several minutes.
 - Inform customer service.
- **WARNING:** Do not damage the plug and/or the power cord; this could cause electrical shocks or fires.
- **WARNING:** Do not use multiple portable socket-outlets or portable power supplies. We do not recommend the use of extension leads and multiway adapters.
- **WARNING:** When positioning the appliance, ensure the supply cord is not trapped or damaged.
- **WARNING:** Do not locate multiple portable socket-outlets or portable power supplies at the rear of the appliance.
- Do not attempt to sit or stand on the top of the appliance. You could injure yourself or damage it. This appliance is not designed for stacking with any other ones.
- The product is designed and built for domestic household use only.
- Only original parts supplied by the manufacturer may be used. The manufacturer guarantees that only these parts satisfy the safety requirements.
- Opening the door for long periods can cause a significant increase of the temperature in the compartments of the appliance.
- Clean regularly surfaces that can come in contact with food and accessible drainage systems.
- Clean water tanks if they have not been used for 48h; flush the water system connected to a water supply if water has not been drawn for 5 days.
- Store raw meat and fish in suitable containers in the refrigerator, so that it is not in contact with or drip onto other food.
- Two-star frozen-food compartments (if they are presented in the appliance) are suitable for storing pre-frozen food, storing or making ice-cream and making ice cubes.
- One-, two- and three -star compartments, if present in the appliance, are not suitable for the freezing of fresh food.

- If the appliance is left empty for long periods, switch off, defrost, clean, dry and leave the door open to prevent mould developing within the appliance.
- FOR Wine Coolers: this appliance is intended to be used exclusively for the storage of wine.
- FOR a free standing appliance: this refrigerating appliance is not intended to be used as a built-in appliance.
- FOR appliances without a 4-star compartment: this refrigerating appliance is not suitable for freezing foodstuffs.
- Replaceable (LED only) light source by a professional
- This product contains a light source of energy efficiency class F.

Scrapping old appliances



Warning: Risk of fire/flammable material. The symbol indicates there is a risk of fire since flammable materials are used. Take care to avoid causing a fire by igniting flammable material.

This appliance is marked according to the European directive 2012/19/EU on Waste Electrical and Electronic Equipment (WEEE).

WEEE contains both polluting substances (which can cause negative consequences for the environment) and basic components (which can be re-used). It is important to have WEEE subjected to specific treatments, in order to remove and dispose properly all pollutants, and recover and recycle all materials.

Individuals can play an important role in ensuring that WEEE does not become an environmental issue; it is essential to follow some basic rules:

- WEEE should not be treated as household waste.
- WEEE should be handed over to the relevant collection points managed by the municipality or by registered companies. In many countries, for large WEEE, home collection could be present.

In many countries, when you buy a new appliance, the old one may be returned to the retailer who has to collect it free of charge on a one-to-one basis, as long as the equipment is of equivalent type and has the same functions as the supplied equipment.

Conformity

By placing the mark **CE** on this product, we are confirming compliance to all relevant European safety, health and environmental requirements which are applicable in legislation for this product.

Guarantee

Minimum guarantee is: 2 years for EU Countries, 3 years for Turkey, 1 year for UK, 1 year for Russia, 3 years for Sweden, 2 years for Serbia, 5 years for Norway, 1 year for Morocco, 6 months for Algeria, Tunisia no legal warranty required.

Energy Saving

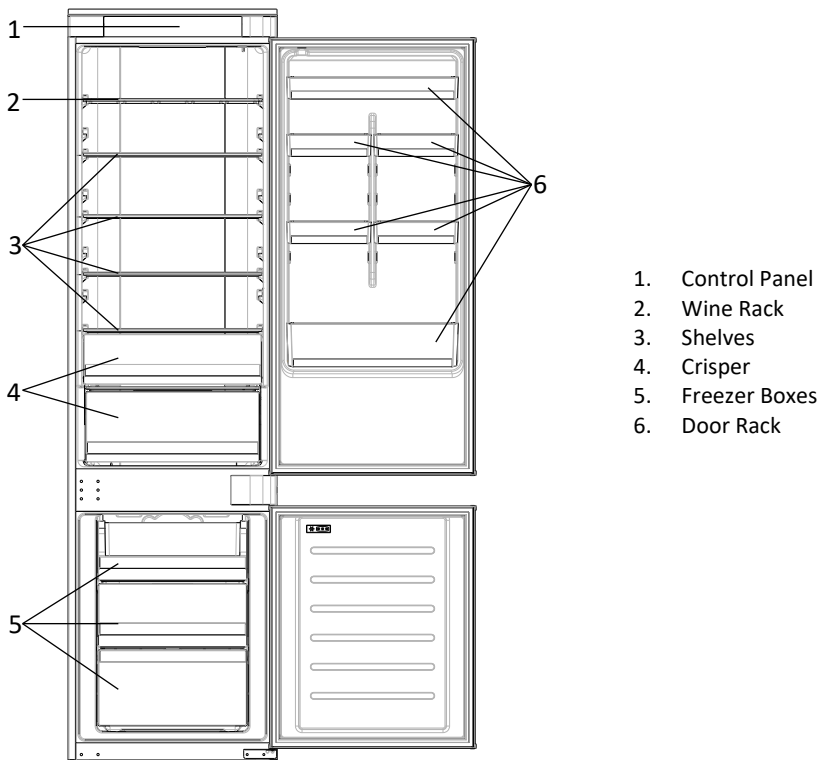
For better energy saving we suggest:

- Installing the appliance away from heat sources and not exposed to direct sunlight and in a well ventilated room.
- Avoid putting hot food into the refrigerator to avoid increasing the internal temperature and therefore causing continuous functionaliting of the compressor.
- Do not excessively stuff foods so as to ensure proper air circulation.
- Defrost the appliance in case there is ice to facilitate the transfer of cold.
- In case of absence of electrical energy, it is advisable to keep the refrigerator door closed.
- Open or keep the doors of the appliance open as little as possible
- Avoid adjusting the setting to temperatures too cold.
- Remove dust present on the rear of the appliance.

Summary

PRODUCT DESCRIPTION	9
USE.....	10
Use	10
Super Cool function.....	11
Super Freeze function	11
Eco mode.....	12
Holiday function	12
Defrosting.....	13
Demo mode.....	13
Maintenance and cleaning.....	13
Troubleshooting.....	14

PRODUCT DESCRIPTION



1. Control Panel
2. Wine Rack
3. Shelves
4. Crisper
5. Freezer Boxes
6. Door Rack

* The most energy-saving configuration requires drawers, food box and shelves to be positioned in the product and fan to be off, please refer to the above pictures.

** The pictures above are only for reference. The actual configuration will depend on the physical product or statement by the distributor.

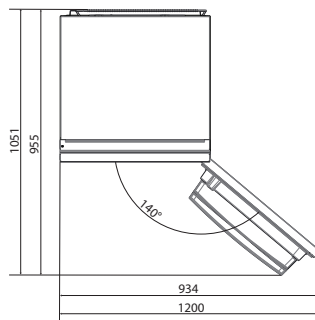
Space requirements

The unit's door must be able to fully open as shown. Spare enough space for convenient opening of the doors and drawers.

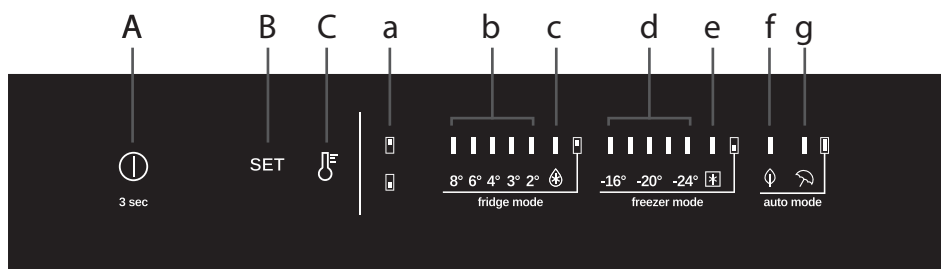
Keep a distance of at least 50 mm between the side walls of the product and adjacent parts.

540 mm Cabinet: Width: 934 mm
Depth: 955 mm

700 mm Cabinet: Width: 1200 mm
Depth: 1051 mm



USE



- A. ON/OFF key, used to switch on/off the appliance
- B. SET key, used to selected the special functions (Eco and holiday)
- C. TEMP key, used to selected the fridge and freezer temperature

- a. Fridge /freezer area icon, shows which compartment of the appliance is selected
- b. Fridge temperature levels, show which is the selected temperature
- c. Super Cool icon, shows if the Super Cool function is activated
- d. Freezer temperature levels, show which is the selected temperature in the freezer
- e. Super Freeze icon, shows if the Super Freeze function is activated
- f. Eco mode icon, shows whether the eco mode is activated
- g. Holiday function icon, show whether the holiday function is activated

Use

- Plug on the appliance and it automatically turns on.
- The temperature will automatically set at 4 °C in the fridge and -18 °C in the freezer.
NOTE: wait at least 2/3 hours before putting food in the appliance, so as to ensure the temperature inside the fridge.
- To change the temperature, press the TEMP key for 5 seconds, an acoustic signal is made and the icon of the selected compartment (fridge or freezer) as well as all the temperature LEDs of the corresponding compartment turn on for 2s, after 2s the selection of the compartment is confirmed. With the selected compartment icon on, quick press the TEMP key to change the temperature. When the setting increases, the corresponding LED light will turn on. An acoustic signal is made every time the TEMP key is pressed and the temperature is changed, after 5 seconds the selection is confirmed. After 30s without operation the fridge/freezer icons and the LEDs of the selected temperatures turn off. When the TEMP key is touched again, the icon of the last are selected (Fridge or freezer) turns on.
- In case of power loss, the last cooling level set will be restored.
- To restore the default setting, keep pressed the door switch inside the

refrigerator and simultaneously press the ON/OFF key for 5 seconds.

- Under the normal operating condition (in spring and autumn), it is recommended to set the temperature at 4 °C. In summer when the ambient temperature is high, it is recommended to set temperature at 6~8 °C, so as to guarantee the fridge and freezer temperatures and reduce the refrigerator continuous running time; and in winter when the ambient temperature is low, it is recommended to set temperature at 3~4 °C to avoid frequent start/stop of the refrigerator.

Super Cool function

It is suggested to switch on the Super Cool function if a large quantity of food should be stored (for example after the purchase). The Super-Cool function accelerates the cooling of fresh food and protects the goods already stored from undesirable warming. When the function is activated, the temperature of the fridge is automatically set at 2 °C.

How to use the Super Cool function:

- The function can be activated by long pressing TEMP key to select the fridge compartment, and then quick pressing the TEMP key until the Super Cool icon led is turned on, or it can be turned on from the app. When the function is activated, the Super Cool LED is always ON.
- To exit the Super Cool function, press the TEMP key or turn it off from the app.
- The Super Cool function automatically ends when the function has lasted for more than 12 hours.
- When the Super Cool ends, the icon of the control panel is switched off and the previously set cooling level is restored.

Note: Super Cool and Super Freeze function cannot be activated simultaneously.

Super Freeze function

The super freezing function accelerates the freezing of fresh food and protects the goods already stored from undesirable warming. If a large amount of food has to be freeze, it is recommended to set the Super-Freeze function on 24h before the usage. When the function is activated, the temperature is automatically set at -28 °C.

How to use the Super Freeze function:

- The function can be launched by long pressing TEMP key to select the freezer compartment, and then quick pressing TEMP key until the Super Freeze icon led is turned on, or it can be turned on from the app. When the function is activated, the Super Freeze LED is always ON.
- To exit the Super Freeze function, press the TEMP key or turn it off from the app.
- The Super Freeze function automatically ends when the function has lasted for more than 50 hours.
- When the Super Freeze ends, the icon of the control panel is switched off and the previously set freezing level is restored.

Note: Super Cool and Super Freeze function cannot be activated simultaneously.

Eco mode

The Eco mode can be activated to optimize the performance of the appliance, whereas obtaining the best food storage. The Eco mode will automatically set the temperature at 4 °C in fridge and at -18 °C in the freezer.

How to use the Eco mode:

- The function can be activated from control panel by pressing the “SET” key until the Eco mode icon turns on (an acoustic signal confirms the selection), or by selecting the function from the app. When the function is activated, the Eco mode icon is always ON.
- To exit the Eco turn it off from the app or chose another function from the control panel.
- When the Eco Mode ends, the icon of the control panel is switched off and the previously set cooling levels are restored.

Holiday function

The Holiday function can be used to reduce the energy consumption of the appliance, when it is not used regularly. When the function is on, the LED lights will be off (even if the door is open) and the fridge will work on low power consumption mode, whereas the freezer will keep working normally.

How to use the Holiday function:

- The function can be activated from control panel by pressing the “SET” key until the Holiday icon turns on (an acoustic signal confirms the selection), or by selecting the function from the app. When the function is activated, the Holiday icon is always ON.
- To exit the Holiday function, turn it off from the app or chose another function from the control panel.
- When the Holiday function ends, the icon of the control panel is switched off and the previously set cooling levels are restored.

Defrosting

The defrosting of the refrigerator and freezer compartment are done automatically: no manual operation is needed.

Fridge compartment drawers

Temperature in both drawers of fridge compartment is about 2°C higher of the set one in fridge.

Top drawer can be used mainly to store fruits.

Bottom drawer has a slider that allows to adjust the humidity inside: moving it to the right decreases the humidity, moving it to the left increases the humidity. It can be used mainly to store vegetables, setting the correct humidity level.

Demo mode

To enter the demo mode, with the display unlocked, keep pressed the Wi-Fi key (B) and press the SET key (C) 5 times within 5 seconds. To exit the demo mode, perform the same operation or power off the refrigerator.

Error Codes

Communication error

[-16°C;-18°C;-20°C;-22°C;-24°C] Lights in the fridge turn on sequentially, it means there has been a communication error between the main control board and the display board. Please, contact the technical assistance to help solve the problem.

Fan

[-16°C;-20°C;-22°C;-24°C] lights in the fridge flashing simultaneously if the fan is not working properly. Please, contact the technical assistance to help solve the problem.

Maintenance and cleaning

- Do not pour water directly on the outside or inside of the refrigerator itself. This could lead to oxidation and damaging of the electrical insulation. Before each operation, remove the refrigerator plug from the power socket to prevent electric shocks.

To prevent cracking of the inside surfaces and plastic parts, follow these suggestions:

- Remove the accessories, for example, the shelves, from the refrigerator and from the door. Wash in hot soapy water. Rinse and thoroughly dry.
- Wipe away any food oils adhered to plastic components.
- The back of the appliance tends to accumulate dust which can be eliminated with the use of a vacuum cleaner, after having switched off and disconnected the appliance from the electrical outlet. This provides greater energy efficiency.
- The internal parts, gaskets and external parts can be cleaned with a cloth with warm water and baking soda or a neutral soap. Do not use solvents, ammonia, bleach or abrasives.

TROUBLESHOOTING

<p>The inside illumination light bulb does not turn on.</p>	<ul style="list-style-type: none"> • Electricity absence. 	<ul style="list-style-type: none"> • The power cord is not properly plugged in. • Check whether the appliance is switched off. (see Temperature Adjustment).
<p>The refrigerator and freezer do not sufficiently cool.</p>	<ul style="list-style-type: none"> • The doors are not closed. 	<ul style="list-style-type: none"> • Check that the door and gaskets close properly .
	<ul style="list-style-type: none"> • The doors are frequently opened. 	<ul style="list-style-type: none"> • Avoid unnecessary opening of the doors for a period of time.
	<ul style="list-style-type: none"> • Erroneous setting of the temperature. 	<ul style="list-style-type: none"> • Check the temperature setting and, if it is possible, cool even more (see Temperature Adjustment).
	<ul style="list-style-type: none"> • The refrigerator and freezer have been excessively filled. 	<ul style="list-style-type: none"> • Wait for the stabilization of the temperature of the refrigerator or freezer.
	<ul style="list-style-type: none"> • Surrounding temperature is too low. 	<ul style="list-style-type: none"> • Check that the ambient temperature is in accordance with what is indicated on the nameplate (see Installatron).
	<ul style="list-style-type: none"> • No electrical power. 	<ul style="list-style-type: none"> • The power cord is not properly plugged in. . Check whether the appliance 1s switched off (see Temperature adjustment). • Ensure that in the home there is current.
<p>The food in the refrigerator freezes.</p>	<ul style="list-style-type: none"> • Erroneous setting of the temperature. 	<ul style="list-style-type: none"> • Check the temperature setting and, if possible, decrease tempera- ture setting.
	<ul style="list-style-type: none"> • Food in contact with the back wall. 	<ul style="list-style-type: none"> • Separate the food from the back wall of the refrigerator.
	<ul style="list-style-type: none"> • The freezing of too much fresh food causes a lowering of the temperature 	<ul style="list-style-type: none"> • Do not exceed the maximum amount to be frozen.
<p>The bottom of the refrigerator compartment is wet or droplets are present.</p>	<ul style="list-style-type: none"> • The drain tube could be clogged. 	<ul style="list-style-type: none"> • Clean the drain tube wrth a stick or the like to allow the discharge of water.
<p>Presence of drops or water on the rear wall of the refrigerator.</p>	<ul style="list-style-type: none"> • Depending on the function, drops of water or frost form on the rear wall of the refrigerator during operation. The rear wall of the refrigerator defrosts automatically. 	<ul style="list-style-type: none"> • It is not a defect.
<p>Presence of water in the vegetable drawer.</p>	<ul style="list-style-type: none"> • Lack of air circulation. 	<ul style="list-style-type: none"> • Verify that your glass shelf tray vegetables are not put foods that prevent air circulation.
	<ul style="list-style-type: none"> • Vegetables and fruits with too much moisture. 	<ul style="list-style-type: none"> • Wrap the fruit and vegetable materials plastic such as, for example, films, bags or containers.
<p>The motor runs continuously.</p>	<ul style="list-style-type: none"> • The doors are not closed. 	<ul style="list-style-type: none"> • Make sure the doors are closed and if the seals close properly.
	<ul style="list-style-type: none"> • The doors are opened frequently. 	<ul style="list-style-type: none"> • Avoid unnecessary open ports for a certain period.
	<ul style="list-style-type: none"> • Ambient temperature is very high. 	<ul style="list-style-type: none"> • Verify that the ambient temperature is in accordance wrth the specifications on the nameplate. • Set the display/thermostat to a warmer temperature.
<p>The frozen food is thawing.</p>	<ul style="list-style-type: none"> • The ambient temperature range below climate class of the product. 	<ul style="list-style-type: none"> • Move the unit to a warmer or heat the room.
	<ul style="list-style-type: none"> • The freezer door is not closed. 	<ul style="list-style-type: none"> • Make sure the door is closed and that the gasket is sealing properly.
<p>Fridge door alarm.</p>	<ul style="list-style-type: none"> • Fridge door alarm (acoustic beep) activates whenever the door is left open for more than 3 minutes. 	<ul style="list-style-type: none"> • Avoid to let the door open whenever not needed. The beep ceases at door closing.
<p>The appliance makes noises such as gurgling, buzzing, clicking, creaking.</p>	<ul style="list-style-type: none"> • No breakdowns. An engine is running, e.g. refrigeration unit, fan. The refrigerant flows into the pipes. Motor, switches and solenoid valves are switched on or off. 	<ul style="list-style-type: none"> • No actions needed.
<p>The appliance does not cool, the temperature and lighting indicators are on.</p>	<ul style="list-style-type: none"> • The DEMO demonstration program is active. 	<ul style="list-style-type: none"> • Deactivate the DEMO program.

Indice

INFORMAZIONI DI SICUREZZA	2
Smaltimento degli elettrodomestici usati	7
Conformità	7
Garanzia	7
Risparmio energetico	8

Vi ringraziamo per aver scelto questo nostro prodotto.

Prima di utilizzare il frigorifero, leggere il presente manuale di istruzioni per massimizzare le prestazioni del prodotto. Riporre tutta la documentazione per utilizzo futuro o per i successivi proprietari. Questo apparecchio è destinato unicamente in ambiente domestico o per applicazioni simili quali:

- la zona cucina destinata al personale di negozi, uffici e altri ambienti lavorativi
- di beauty farm, alla clientela di hotel, motel e altri ambienti di tipo residenziale
- nei Bed&Breafast (B&B)
- per servizi di catering ed applicazioni simili esclusa la vendita al dettaglio.

Questo elettrodomestico deve essere utilizzato unicamente per la conservazione degli alimenti; qualsiasi altro uso è considerato pericoloso e il produttore non è ritenuto responsabile per eventuali omissioni. Si consiglia anche di leggere con attenzione le condizioni di garanzia.

INFORMAZIONI DI SICUREZZA

Leggere attentamente le istruzioni per l'uso e l'installazione. Le istruzioni contengono informazioni importanti relative all'installazione, all'uso e alla manutenzione dell'elettrodomestico. Il produttore non è responsabile del mancato rispetto delle istruzioni e delle avvertenze. Conservare tutta la documentazione per future consultazioni o per i proprietari successivi.

- Collegare l'elettrodomestico all'alimentazione elettrica solo dopo aver rimosso l'imballo e le protezioni per il trasporto. Tenere lontani i bambini dall'imballo e dai relativi componenti.
- I cartoni pieghevoli e la pellicola di plastica potrebbero causare il soffocamento.
- Lasciare riposare per almeno 4 ore prima dell'accensione per consentire all'olio del compressore di depositarsi se trasportato orizzontalmente.
- **AVVERTENZA:** Al momento della consegna, verificare che il prodotto non sia danneggiato e che tutte le parti e gli accessori siano in perfette condizioni.
- **AVVERTENZA:** Non danneggiare il circuito del refrigerante.
- Mantenere libere da qualsiasi ostruzione le aperture di ventilazione nel luogo in cui si trova l'elettrodomestico nella struttura nella quale è incassato.
- Non usare mai acqua per lavare la zona del compressore, pulire accuratamente con un panno asciutto dopo la pulizia per evitare la formazione di ruggine.
- L'elettrodomestico deve essere maneggiato sempre da almeno due persone perché è pesante.
- Installare l'elettrodomestico a livello in un'area adatta alle dimensioni e all'uso.
- Accertarsi che i dati elettrici sulla targhetta siano conformi all'alimentazione elettrica. In caso contrario, rivolgersi a un elettricista.
- L'elettrodomestico funziona con corrente elettrica 220-240 Vca / 50 Hz. Oscillazioni anomale della tensione possono causare il mancato avvio dell'elettrodomestico, danni al controllo della temperatura o al compressore oppure rumori anomali durante il funzionamento. In tal caso, è opportuno montare un regolatore automatico.

- Solo per il Regno Unito: il cavo di alimentazione dell'elettrodomestico è dotato di una spina a 3 conduttori (collegata a terra) adatta a una presa standard a 3 conduttori (collegata a terra). Non tagliare né smontare mai il terzo conduttore (collegamento a terra). Dopo l'installazione dell'elettrodomestico, la spina deve essere accessibile.
- Accertarsi che il cavo di rete non sia impigliato sotto l'elettrodomestico durante e dopo il trasporto/spostamento, per evitare che il cavo di rete venga tagliato o danneggiato. Se il cavo di alimentazione dell'elettrodomestico dovesse essere danneggiato, farlo sostituire dal produttore, dal suo servizio tecnico o da un tecnico qualificato, per evitare rischi.
- Non montare l'elettrodomestico in ambienti polverosi, in presenza di olio o umidità, non esporlo alla luce solare diretta e all'acqua.
- Non montare l'elettrodomestico vicino a stufe o materiali infiammabili.
- PER gli elettrodomestici dotati di vano congelatore, non aprire il coperchio in caso di interruzione della corrente. Gli alimenti surgelati non dovrebbero guastarsi se l'interruzione dell'alimentazione dura meno delle ore indicate sull'etichetta della classificazione (tempo di aumento della temperatura). Se l'interruzione dell'alimentazione dura di più, controllare gli alimenti e consumarli immediatamente o ricongelarli solo dopo averli cotti.
- Se il coperchio dell'elettrodomestico non si riapre facilmente subito dopo che è stato chiuso, non si tratta di un problema, in quanto tale condizione dipende dalla differenza di pressione che si bilancerà entro pochi minuti consentendo nuovamente l'apertura del coperchio.
- Non conservare medicinali, batteri o sostanze chimiche nell'elettrodomestico. Questo elettrodomestico è destinato ad ambienti residenziali, per cui si sconsiglia di conservare materiali che richiedono temperature rigide.
- Non piegare troppo o tirare il cavo di alimentazione e non toccare la spina con le mani bagnate.
- Non conservare nell'elettrodomestico prodotti contenenti propellenti infiammabili (ad es. bombolette spray) o sostanze esplosive. Pericolo di esplosione!
- Non collocare elementi instabili (oggetti pesanti, contenitori pieni d'acqua) sopra il frigorifero, per evitare lesioni personali dovute a cadute o scosse elettriche causate dal contatto con l'acqua.

- **AVVERTENZA:** Non usare apparecchi elettrici all'interno degli scomparti per la conservazione degli alimenti dell'elettrodomestico, se questi non sono del tipo consigliato dal produttore.
- Non toccare gli elementi interni di raffreddamento, specialmente con le mani bagnate, per evitare crepe o lesioni.
- Sono a rischio i bambini, le persone affette da limitazione delle capacità fisiche, mentali o sensoriali, nonché le persone che non conoscono perfettamente il funzionamento sicuro dell'elettrodomestico. Accertarsi che i bambini e le persone vulnerabili siano consapevoli dei pericoli. Una persona responsabile della sicurezza deve sorvegliare o istruire i bambini e le persone vulnerabili che adoperano l'elettrodomestico.
L'elettrodomestico non deve essere utilizzato da bambini di età inferiore a 8 anni.
- I bambini non devono giocare con l'elettrodomestico.
- I bambini dai 3 agli 8 anni possono riempire e svuotare questo elettrodomestico.
- PER gli elettrodomestici dotati di vano congelatore: non conservare liquidi in bottiglia o in lattina (specialmente bevande gassate) nel vano congelatore. Le bottiglie e lattine possono scoppiare!
- PER gli elettrodomestici dotati di vano congelatore: non mettere mai in bocca alimenti surgelati subito dopo averli estratti dal vano congelatore. Pericolo di ustioni dovute alla bassa temperatura!
- Accertarsi sempre che i componenti di plastica e la guarnizione dello sportello siano privi di olio e grasso. In caso contrario, i componenti di plastica e la guarnizione dello sportello diventeranno porosi.
- Prima di ogni intervento occorre disinserire l'alimentazione elettrica all'elettrodomestico.
- **AVVERTENZA:** Non usare dispositivi meccanici o altri strumenti artificiali per accelerare il processo di sbrinamento, diversi da quelli consigliati dal produttore.
- Non utilizzare oggetti appuntiti o acuminati come coltelli o forchette per rimuovere il ghiaccio. Non utilizzare mai asciugacapelli, riscaldatori elettrici o altri elettrodomestici per lo sbrinamento.
- Si consiglia di mantenere pulita la spina: eventuali residui di sporco sulla spina possono provocare incendi.

- Non cercare di riparare, smontare o modificare personalmente l'elettrodomestico. Per le riparazioni rivolgersi sempre all'assistenza clienti.
- Sorvegliare i bambini durante la pulizia o la manutenzione dell'elettrodomestico.
- Non pulire i ripiani di vetro freddi con acqua calda. Un'improvvisa variazione della temperatura può causare la rottura del vetro.
- **AVVERTENZA:** i tubi del circuito di refrigerazione trasportano una lieve quantità di refrigerante ecologico ma infiammabile (R600a) e di gas isolante (ciclopentano). Questi prodotti non danneggiano lo strato di ozono e non aumentano l'effetto serra. Se il refrigerante fuoriesce, può lesionare gli occhi o incendiarsi.
- Se il circuito di refrigerazione è visibilmente danneggiato:
 - Spegnere l'elettrodomestico e staccare la spina dalla rete elettrica.
 - Tenere lontano dall'elettrodomestico fiamme libere e/o fonti di ignizione.
 - Ventilare accuratamente il locale per alcuni minuti.
 - Informare l'assistenza clienti.
- **AVVERTENZA:** per scongiurare il rischio di incendi o scosse elettriche, non danneggiare la spina e/o il cavo di alimentazione.
- **AVVERTENZA:** non adoperare prese multiple o alimentatori portatili. Si sconsiglia l'uso di prolunghe e prese multiple.
- **AVVERTENZA:** quando l'elettrodomestico viene collocato nella sede prescelta, accertarsi che il cavo di alimentazione non sia incastrato o danneggiato.
- **AVVERTENZA:** non collocare prese multiple o alimentatori portatili nella parte posteriore dell'elettrodomestico.
- Non tentare di sedersi o stare in piedi sulla parte superiore dell'elettrodomestico, per evitare lesioni personali o danni all'elettrodomestico. Questo elettrodomestico non può essere impilato con altri elettrodomestici.
- Il prodotto è progettato e costruito solo per uso domestico.
- È possibile utilizzare solo componenti originali forniti dal produttore. Il produttore garantisce che solo questi componenti soddisfano i requisiti di sicurezza.
- L'apertura prolungata della porta può causare un significativo aumento della temperatura nei vani dell'elettrodomestici.
- Pulire regolarmente le superfici che possono venire a contatto con gli alimenti ei sistemi di scarico accessibili.

- Pulire i serbatoi dell'acqua se non sono stati utilizzati per 48 ore; sciacquare l'impianto idrico collegato alla rete idrica se l'acqua non è stata prelevata per 5 giorni.
- Conservare la carne e il pesce crudo in appositi contenitori in frigorifero, in modo che non vengano a contatto con altri alimenti o che non gocciolino su di essi.
- Gli scomparti per surgelati a due stelle (se presenti nell'elettrodomestico) sono adatti alla conservazione di alimenti pre-congelati, alla conservazione o alla preparazione di gelati e alla produzione di cubetti di ghiaccio.
- Gli scomparti a una, due e tre stelle (se presenti nell'elettrodomestico) non sono adatti al congelamento di alimenti freschi.
- Se l'elettrodomestico viene lasciato vuoto per lunghi periodi di tempo, spegnere, sbrinare, pulire, asciugare e lasciare la porta aperta per evitare che si formi muffa all'interno.
- Per i frigoriferi cantina: Apparecchio destinato esclusivamente alla conservazione del vino.
- Per gli apparecchi a libera installazione: Apparecchio di refrigerazione non destinato ad essere utilizzato come apparecchio da incasso.
- Per gli apparecchi senza uno scomparto a 4 stelle: Apparecchio di refrigerazione non idoneo al congelamento di alimenti.
- Sorgente luminosa (solo a LED) sostituibile solo da un professionista.
- Questo prodotto contiene una fonte luminosa con efficienza energetica di classe F.

Smaltimento degli elettrodomestici usati



Avvertenza: Rischio di incendio / Materiale infiammabile Il simbolo indica che esiste il rischio di incendio poiché sono utilizzati materiali infiammabili. Prestare particolare attenzione per evitare incendi causati dall'accensione di materiali infiammabili.

Questo elettrodomestico dispone di contrassegno ai sensi della direttiva europea 2012/19/UE sui rifiuti di apparecchiature elettriche ed elettroniche (RAEE).

La direttiva RAEE riguarda le sostanze inquinanti (che possono causare conseguenze negative per l'ambiente) e i componenti principali (che possono essere riutilizzati). È importante che i RAEE siano sottoposti a trattamenti specifici in modo da togliere e smaltire in modo corretto gli inquinanti, nonché recuperare e riciclare tutti i materiali.

Spetta ai singoli individui garantire che i RAEE non diventino un problema a livello ambientale. Esistono alcune regole specifiche da rispettare:

- I RAEE non devono essere trattati come rifiuti domestici.
- I RAEE devono essere affidati agli speciali centri di raccolta gestiti dai comuni o da società autorizzate. In molti stati è disponibile anche un servizio di raccolta porta a porta per i RAEE.

In caso di acquisto di nuovi elettrodomestici, quelli vecchi possono essere affidati al venditore che li deve ritirare gratuitamente in numero corrispondente agli elettrodomestici acquistati, a condizione che i singoli elettrodomestici siano di tipo simile e con le stesse funzioni di quelli acquistati.

Conformità

Apponendo il marchio **CE** su questo prodotto, confermiamo la conformità a tutti i requisiti di legge europei in materia di sicurezza, salute e tutela ambientale applicabili per legge a questo prodotto.

Garanzia

La garanzia minima è: 2 anni per i Paesi UE, 3 anni per la Turchia, 1 anno per il Regno Unito, 1 anno per la Russia, 3 anni per la Svezia, 2 anni per la Serbia, 5 anni per la Norvegia, 1 anno per il Marocco, 6 mesi per l'Algeria, la Tunisia nessuna garanzia legale richiesta.

Risparmio energetico

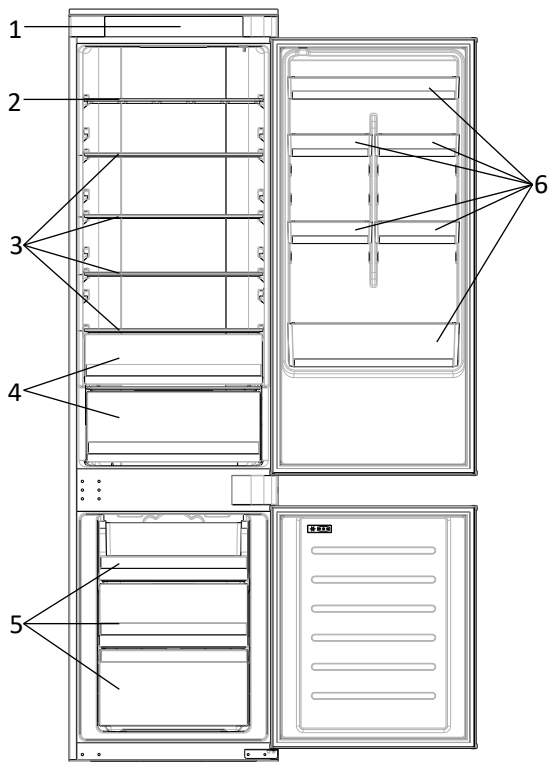
Per un maggiore risparmio di energia si consiglia di procedere come segue:

- Installare l'elettrodomestico lontano da fonti di calore, al riparo dall'irradiazione diretta dei raggi solari e in un ambiente ben ventilato.
- Evitare di conservare alimenti caldi nel frigorifero per evitare di aumentare la temperatura interna, provocando un funzionamento continuo del compressore.
- Non riempirlo eccessivamente in modo tale da garantire una corretta circolazione dell'aria.
- Sbrinare l'elettrodomestico in presenza di ghiaccio per facilitare il trasferimento del freddo.
- In caso di mancanza di energia elettrica, si consiglia di lasciare chiusa la porta del frigorifero.
- Aprire o tenere aperte le porte dell'elettrodomestico il meno possibile.
- Evitare di regolare il termometro a temperature troppo basse.
- Togliere la polvere presente nella parte posteriore dell'elettrodomestico.

Indice

DESCRIZIONE DEL PRODOTTO	10
UTILIZZO	11
Utilizzo.....	11
Funzione Super Cool	12
Funzione Super Freeze	12
Modalità Eco	13
Funzione Holiday.....	13
Sbrinamento.....	14
Modalità Demo	14
Pulizia e manutenzione.....	15
Risoluzione dei problemi.....	16

DESCRIZIONE DEL PRODOTTO



1. Pannello dei comandi
2. Ripiano portabottiglie per vino
3. Ripiani
4. Frutta e verdura
5. Vani del congelatore
6. Cassetto incassato nello sportello

* Per la configurazione che consente il massimo risparmio energetico, collocare nel prodotto i cassetti, i vani alimenti e i ripiani, e spegnere la ventola. Fare riferimento alle immagini precedenti.

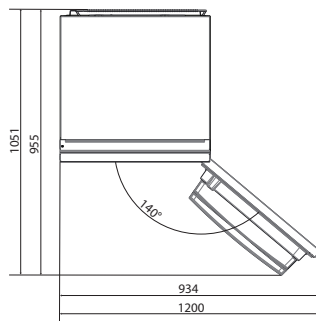
** Le immagini precedenti fungono solo da riferimento. La configurazione reale dipende dalle caratteristiche fisiche del prodotto o dalla dichiarazione del distributore.

Requisiti di spazio

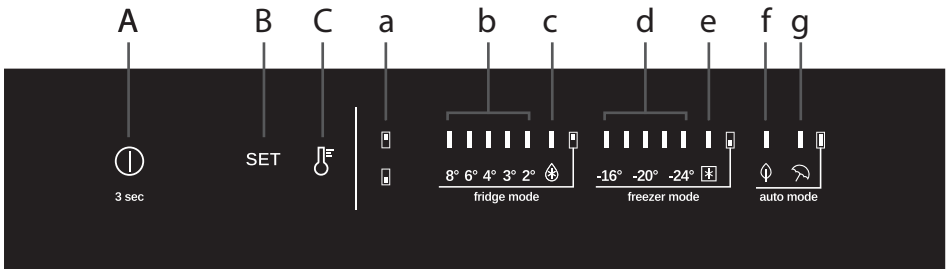
Lo sportello dell'unità deve potersi aprire completamente, come illustrato. Lasciare spazio sufficiente per poter aprire comodamente gli sportelli e i cassetti. Mantenere una distanza di almeno 50 mm tra le pareti laterali del prodotto e le parti adiacenti.

540 mm Colonna: Larghezza: 934 mm
Profondità: 955 mm

700 mm Colonna: Larghezza: 1200mm
Profondità: 1051mm



UTILIZZO



- A. Tasto di accensione/spengimento: per accendere e spegnere l'elettrodomestico
- B. Tasto SET: per selezionare le funzioni speciali (Eco e Holiday)
- C. Tasto della temperatura: per selezionare la temperatura del frigorifero e del congelatore

- a. Icona dell'area frigorifero/congelatore: indica quale vano dell'elettrodomestico è selezionato
- b. Livelli di temperatura del frigorifero: indicano la temperatura selezionata nel frigorifero
- c. Icona Super Cool: indica se è attivata la funzione Super Cool
- d. Livelli di temperatura del congelatore: indicano la temperatura selezionata nel congelatore
- e. Icona Super Freeze: indica se è attivata la funzione Super Freeze
- f. Icona della modalità Eco; indica se è attivata la modalità Eco
- g. Icona della funzione Holiday: indica se è attivata la funzione Holiday

Utilizzo

- Inserendo la spina, l'elettrodomestico si accende automaticamente.
- La temperatura viene impostata automaticamente a 4 °C nel frigorifero e a -18 °C nel congelatore.

NOTA: attendere almeno 2/3 ore prima di collocare gli alimenti nell'elettrodomestico, in modo da garantire la temperatura corretta all'interno del frigorifero.

- Per modificare la temperatura, tenere premuto il tasto della temperatura per 5 secondi; viene emesso un segnale acustico e l'icona del vano selezionato (frigorifero o congelatore) e tutti i LED della temperatura del vano corrispondente si accendono per 2 secondi; dopo 2 secondi, la selezione del vano è confermata. Con l'icona del vano selezionato accesa, premere rapidamente il tasto della temperatura per modificare la temperatura. Quando l'impostazione aumenta, si accende la spia a LED corrispondente. Ogni volta che si preme il tasto della temperatura e si modifica la temperatura, viene emesso un segnale acustico; dopo 5 secondi, la selezione è confermata. Dopo 30s di inattività le icone frigo/congelatore e i led delle temperature selezionate si spengono. Premendo nuovamente il tasto della temperatura, si accende l'icona dell'ultimo vano selezionato (frigorifero o congelatore).

- In caso di interruzione della corrente, viene ripristinato l'ultimo livello di raffreddamento impostato.
- Per ripristinare l'impostazione predefinita, tenere premuto l'interruttore dello sportello all'interno del frigorifero e premere contemporaneamente il tasto di accensione/spegnimento per 5 secondi.
- In condizioni di funzionamento normali (in primavera e in autunno), è preferibile impostare la temperatura a 4 °C. In estate, quando la temperatura ambiente è alta, è preferibile impostare la temperatura a 6~8 °C, in modo da mantenere le temperature del frigorifero e del congelatore e ridurre il tempo di funzionamento continuo del frigorifero; in inverno, quando la temperatura ambiente è bassa, è preferibile impostare la temperatura a 3~4 °C per evitare che il frigorifero si avvii e si arresti frequentemente.

Funzione Super Cool

È preferibile attivare la funzione Super Cool se occorre conservare una notevole quantità di alimenti (ad es. dopo l'acquisto). La funzione Super Cool accelera il raffreddamento degli alimenti freschi e protegge quelli già conservati da un riscaldamento indesiderato. Quando la funzione è attivata, la temperatura del frigorifero viene impostata automaticamente a 2 °C.

Utilizzo della funzione Super Cool:

- La funzione può essere attivata tenendo premuto a lungo il tasto della temperatura per selezionare il vano frigorifero, quindi premendo rapidamente il tasto della temperatura fino a quando si accende il LED dell'icona Super Cool; questa funzione può essere attivata anche dall'app. Quando la funzione è attivata, il LED Super Cool è sempre acceso.
- Per uscire dalla funzione Super Cool, premere il tasto della temperatura o disattivare la funzione dall'app.
- La funzione Super Cool si disattiva automaticamente dopo 12 ore.
- Quando la funzione Super Cool si disattiva, l'icona del pannello di controllo si spegne e viene ripristinato il livello di raffreddamento impostato

precedentemente.

Nota: Le funzioni Super Cool e Super Freeze non possono essere attivate contemporaneamente.

Funzione Super Freeze

La funzione di congelamento rapido accelera il congelamento degli alimenti freschi e protegge quelli già conservati da un riscaldamento indesiderato. Se occorre congelare molti alimenti, è preferibile attivare la funzione Super Freeze 24 ore prima dell'uso. Quando la funzione è attivata, la temperatura viene impostata automaticamente a -28 °C. Utilizzo della funzione Super Freeze:

- La funzione può essere attivata premendo a lungo il tasto della temperatura per selezionare il vano congelatore, quindi premendo rapidamente il tasto della temperatura fino a quando si accende il LED dell'icona Super Freeze; questa funzione può essere attivata anche dall'app. Quando la funzione è attivata, il LED Super Freeze è sempre acceso.
- Per uscire dalla funzione Super Freeze, premere il tasto della temperatura o disattivare la funzione dall'app.
- La funzione Super Freeze si disattiva automaticamente dopo 50 ore.
- Quando la funzione Super Freeze si disattiva, l'icona del pannello di controllo si spegne e viene ripristinato il livello di congelamento impostato precedentemente.

Nota: Le funzioni Super Cool e Super Freeze non possono essere attivate contemporaneamente.

Modalità Eco

È possibile attivare la modalità Eco per ottimizzare le prestazioni dell'elettrodomestico, garantendo al tempo stesso la migliore conservazione degli alimenti. La modalità Eco imposta automaticamente la temperatura a 4 °C nel frigorifero e a -18 °C nel congelatore. Utilizzo della modalità Eco:

- La funzione può essere attivata dal pannello di controllo premendo il tasto "SET" fino a quando si accende l'icona della modalità Eco (un segnale acustico conferma la selezione); questa funzione può essere attivata anche dall'app. Quando la funzione è attivata, l'icona della modalità Eco è sempre accesa.
- Per uscire dalla modalità Eco, disattivarla dall'app o scegliere un'altra funzione dal pannello di controllo.
- Quando la modalità Eco si disattiva, l'icona del pannello di controllo si spegne e vengono ripristinati i livelli di raffreddamento impostati precedentemente.

Funzione Holiday

La funzione Holiday può essere attivata per ridurre i consumi energetici quando l'elettrodomestico non viene utilizzato regolarmente. Quando la funzione è attivata, le spie a LED si spengono (anche se si apre lo sportello) e il frigorifero funziona in modalità a basso consumo, mentre il congelatore continua a funzionare normalmente.

Utilizzo della funzione Holiday:

- La funzione può essere attivata dal pannello di controllo premendo il tasto "SET" fino a quando si accende l'icona Holiday (un segnale acustico conferma la selezione); questa funzione può essere attivata anche dall'app. Quando la funzione è attivata, l'icona Holiday è sempre accesa.
- Per uscire dalla funzione Holiday, disattivarla dall'app o scegliere un'altra funzione dal pannello di controllo.
- Quando la funzione Holiday si disattiva, l'icona del pannello di controllo si spegne e vengono ripristinati i livelli di raffreddamento impostati precedentemente.

Sbrinamento

Lo sbrinamento dei vani frigorifero e congelatore avviene automaticamente e non richiede operazioni manuali.

Cassetti scomparto frigo

Entrambi i cassetti hanno una temperatura superiore a quella impostata nel resto dello scomparto frigo di circa 2°C.

Il cassetto superiore può essere utilizzato per la conservazione di frutta.

Il cassetto inferiore è dotato di uno slider che permette di regolare l'umidità all'interno: muovendolo verso destra l'umidità diminuisce, muovendolo verso sinistra l'umidità aumenta. Può essere utilizzato per la conservazione della verdura, scegliendo il livello di umidità più idoneo.

Modalità Demo

Per entrare nella modalità demo, con il display sbloccato, tenere premuto il tasto WiFi (B) e premere il tasto SET (C) 5 volte entro 5 secondi. Per uscire dalla modalità demo, effettuare la stessa operazione o spegnere il frigorifero.

Codici di errore

- Errore di comunicazione

Se le spie [-16°C; -18°C; -20°C; -22°C; -24°C] del frigorifero si accendono in sequenza, si è verificato un errore di comunicazione tra la scheda di controllo principale e la scheda del display. Per assistenza sulla soluzione del problema, contattare l'assistenza tecnica

- Ventola

Le spie [-16°C; -20°C; -22°C; -24°C] del frigorifero lampeggiano simultaneamente se la ventola non funziona correttamente. Per assistenza sulla soluzione del problema, contattare l'assistenza tecnica

Pulizia e manutenzione

- Non versare acqua sulle parti esterne e interne del frigorifero, in quanto potrebbe causare ossidazione e compromettere l'isolamento elettrico.
- Prima di qualunque intervento, staccare la spina del frigorifero dalla presa per evitare scosse elettriche.

Per evitare incrinature delle superfici interne e delle parti in plastica, attenersi alle seguenti raccomandazioni:

- Rimuovere gli accessori (ad esempio i ripiani) dal frigorifero e dallo sportello. Lavare con acqua calda saponata. Sciacquare e asciugare perfettamente.
- Pulire il grasso degli alimenti depositato sui componenti in plastica.
- La parte posteriore dell'elettrodomestico è incline all'accumulo di polvere che può essere rimossa con un aspirapolvere dopo aver staccato la spina dell'elettrodomestico dalla presa. L'eliminazione della polvere incrementa l'efficienza energetica.
- Le parti interne, le guarnizioni e le parti esterne possono essere pulite con un panno e acqua tiepida con bicarbonato di sodio o sapone neutro. Non adoperare solventi, ammoniaca, candeggina o prodotti abrasivi.

SOLUZIONE DEI PROBLEMI

<p>La lampada per l'illuminazione interna non si accende.</p>	<ul style="list-style-type: none"> • Assenza di energia elettrica. 	<ul style="list-style-type: none"> • La spina del cavo di alimentazione non è inserita correttamente. • Controllare se relettrodomestico è spento. (vedere Reaolazione della temperatura).
<p>Frigorifero e congelatore non raffreddano sufficientemente.</p>	<ul style="list-style-type: none"> • Gli sportelli non sono chiusi 	<ul style="list-style-type: none"> • Accertarsi che lo sportello e le guarnizioni garantiscano una tenuta adeguata.
	<ul style="list-style-type: none"> • Gli sportelli vengono aperti frequentemente. 	<ul style="list-style-type: none"> • Evitare di lasciare inutilmente gli sportelli aperti per troppo tempo
	<ul style="list-style-type: none"> • Impostazione errata della temperatura. 	<ul style="list-style-type: none"> • Controllare rimpostazione della temperatura e diminuirla, se possibile.
	<ul style="list-style-type: none"> • Frigorifero e congelatore sono troppo pieni 	<ul style="list-style-type: none"> • Attendere che la temperatura del frigorifero o del congelatore si stabilizzi.
	<ul style="list-style-type: none"> • La temperatura ambiente è troppo bassa 	<ul style="list-style-type: none"> • Accertarsi che la temperatura ambiente sia conforme alle specifiche riportate sulla targhetta.
<p>Il cibo nel frigorifero si congela.</p>	<ul style="list-style-type: none"> • Impostazione errata della temperatura. 	<ul style="list-style-type: none"> • Controllare rimpostazione della temperatura e diminuirla, se possibile.
	<ul style="list-style-type: none"> • Alimenti a contatto con la parete posteriore. 	<ul style="list-style-type: none"> • Staccare gli alimenti dalla parete posteriore del frigorifero.
	<ul style="list-style-type: none"> • Il congelamento di una quantità eccessiva di cibo fresco causa abbassamento della temperatura del frigorifero. 	<ul style="list-style-type: none"> • Non superare la quantità massima di alimenti da causa rabbassamento della temperatura del frigorifero congelare (vedere Congelamento).
<p>La parte inferiore del comparto frigo è umida o sono presenti goccioline.</p>	<ul style="list-style-type: none"> • Il tubo di drenaggio potrebbe essere intasato. 	<ul style="list-style-type: none"> • Pulire il tubo di drenaggio con un bastoncino o un oggetto simile per consentire il drenaggio dell'acqua
<p>Presenza di gocce o acqua sulla parete posteriore del frigorifero.</p>	<ul style="list-style-type: none"> • A seconda della funzione, durante il funzionamento si formano gocce d'acqua o brina sulla parete posteriore del frigorifero. La parete posteriore del frigorifero si sbrina automaticamente. 	<ul style="list-style-type: none"> • Nessun guasto.
<p>Presenza di acqua nel cassetto della frutta.</p>	<ul style="list-style-type: none"> • Circolazione d'aria assente. 	<ul style="list-style-type: none"> • Accertarsi che sul ripiano in vetro non siano collocati alimenti che impediscano la circolazione dell'aria.
	<ul style="list-style-type: none"> • Frutta e verdura contengono troppa umidità. 	<ul style="list-style-type: none"> • Avvolgere la frutta e la verdura in materiali plastici, ad esempio pellicole, sacchetti o contenitori.
<p>Il motore rimane continuamente in funzione.</p>	<ul style="list-style-type: none"> • Gli sportelli non sono chiusi 	<ul style="list-style-type: none"> • Accertarsi che gli sportelli siano chiusi e che la tenuta delle guarnizioni sia adeguata.
	<ul style="list-style-type: none"> • Gli sportelli vengono aperti frequentemente. 	<ul style="list-style-type: none"> • Evitare di lasciare inutilmente gli sportelli aperti per troppo tempo.
	<ul style="list-style-type: none"> • La temperatura ambiente è molto alta 	<ul style="list-style-type: none"> • Accertarsi che la temperatura ambiente sia conforme alle specifiche riportate sulla targhetta. • Impostare il display/termostato su una temperatura più alta.
<p>Il cibo congelato si scongela.</p>	<ul style="list-style-type: none"> • La temperatura ambiente è inferiore alla classe climatica del prodotto. Il compressore si avvia raramente 	<ul style="list-style-type: none"> • Spostare l'unità in un ambiente più caldo o riscaldare l'ambiente.
	<ul style="list-style-type: none"> • Lo sportello del congelatore non è chiuso. 	<ul style="list-style-type: none"> • Accertarsi che lo sportello sia chiuso e che la tenuta della guarnizione sia adeguata
<p>Allarme porta frigo.</p>	<ul style="list-style-type: none"> • Se lo sportello frigo dell'apparecchio resta aperto per almeno 3 minuti, si attiva l'allarme porta (beep acustico). 	<ul style="list-style-type: none"> • Non lasciare inutilmente aperta la porta. Il beep termina dopo la chiusura della porta.
<p>L'apparecchio emette rumori come gorgoglii, ronzii, scatti, scricchiolii.</p>	<ul style="list-style-type: none"> • Nessun guasto. Un motore è in funzione, ad es. gruppo frigorifero, ventola. Il refrigerante fluisce nei tubi. Motore, interruttori ed elettrovalvole si inseriscono o disinseriscono. 	<ul style="list-style-type: none"> • Nessun trattamento necessario
<p>L'apparecchio non raffredda, le spie di temperatura e illuminazione sono accese.</p>	<ul style="list-style-type: none"> • Il programma dimostrativo DEMO è attivo. 	<ul style="list-style-type: none"> • Disattivare programma DEMO

La Casa Costruttrice non risponde delle possibili inesattezze, imputabili ad errori di stampa o trascrizione, contenute nel presente libretto.

Si riserva il diritto, senza pregiudicare le caratteristiche essenziali di funzionalità e sicurezza, di apportare ai propri prodotti, in qualunque momento e senza preavviso, le eventuali modifiche opportune per qualsiasi esigenza di carattere costruttivo o commerciale.

The manufacturer cannot be held responsible for possible inaccuracies due to printing or transcription errors in the present booklet.

The manufacturer reserves the right to make all modifications to its products deemed necessary for manufacturer commercial reasons at any moment and without prior notice, without jeopardising the essential functional

www.delonghi-cookers.it

DeLonghi